

**New**

June. 2006

**BIXOLON Samsung Thermal receipt printer**

**SRP-350 plus**



**BIXOLON**® 

- ✓ **Product overview**
- ✓ **Advantages**
- ✓ **Specifications**

- 
- **Fast print speed (200mm/sec)**
  - **Higher reliability, TPH 150km, Auto cutter more than 1.8 M cuts**
  - **Higher Spec Virtual Memory Switch Module, Statistical data, 2D barcodes, High speed T10/T100 Ethernet, USB on board type, versatile code pages, 2 color option, firmware download with serial, parallel and USB, partial + full cut options**
  - **Power adapter, power cord, power switch protection cover & cable cover included**
  - **Windows, OPOS, Java POS drivers, DOS compatible to ESC-PoS**

**[ Same exchangeable  
interface boards ]**

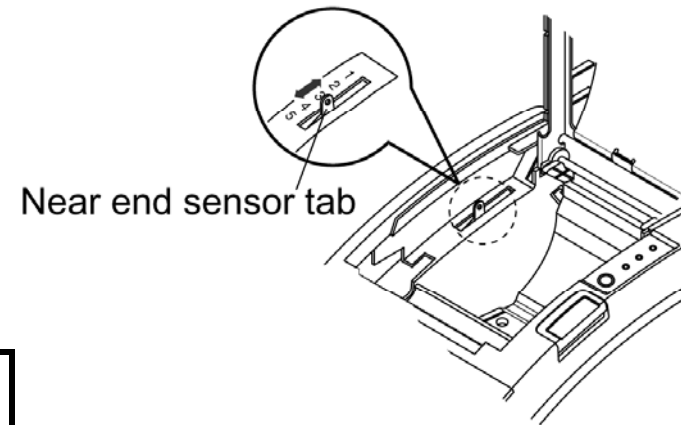


**[ Same foot print ]**



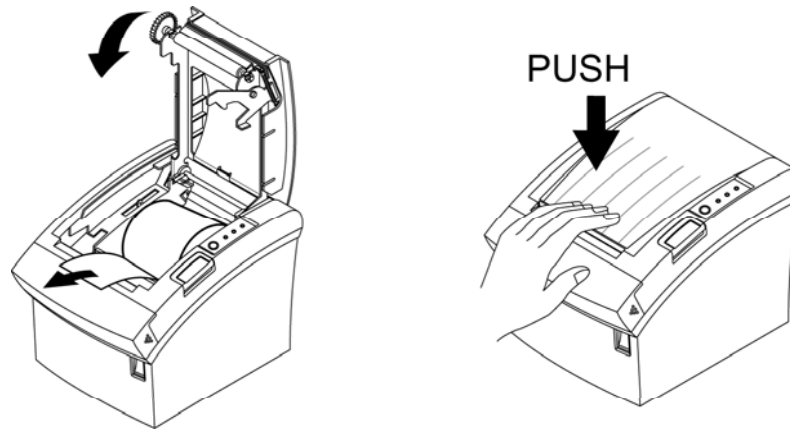
**SRP-350, TM-T88IV = SRP-350plus**

*[ Easy to use near end sensor ]*



<i>Dip switch SW2-7</i>	
<i>On</i>	<i>Disable</i>
<i>Off</i>	<i>Enable</i>
<i>1</i>	<i>Minimum left over</i>
<i>3</i>	<i>Standard</i>
<i>5</i>	<i>Maximum left over</i>

*[ One hand cover open solution ]*



***Save time by opening the cover with 1 step and 1 hand !***

***[ Splash Proof cover ]***



***[ Wall mount bracket ]***



***[ Internal Buzzer ]***

***Internal buzzer by Dip switch and ESC command  
External buzzer option***



*[ Easy indicators ]*

***High visibility***

- ***Power***
- ***Error***
- ***Paper***



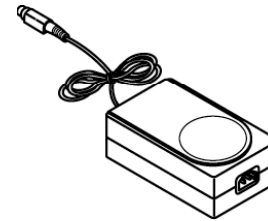


*[ Easy cable selection ]*



Serial interface board	
On	Epson serial cable
Off	<b>BIXOLON serial cable</b>

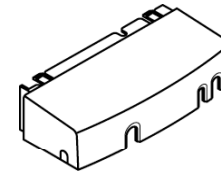
*[ All including package ]*



**Adapter**

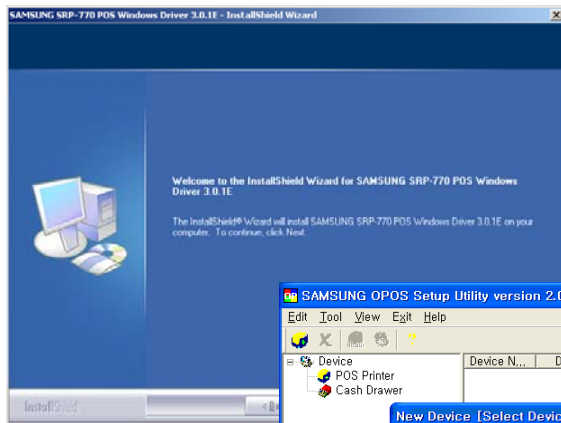


**Power cord**

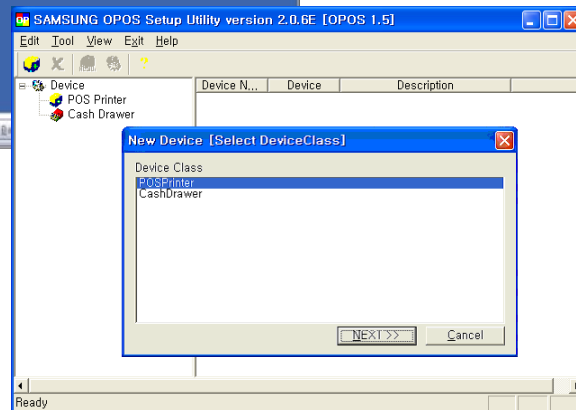


**Cable cover,  
Power cover**

## [ Versatile drivers ]



**Windows 95/98/ME/2000/XP/Server 2003**



**OPOS Driver**

**Java POS Driver in plan**

[ High performance & High reliability ]

200mm/sec  
150km TPH

New durable auto cutter  
2 color print possible



---

*[ Fully featured interfaces ]*

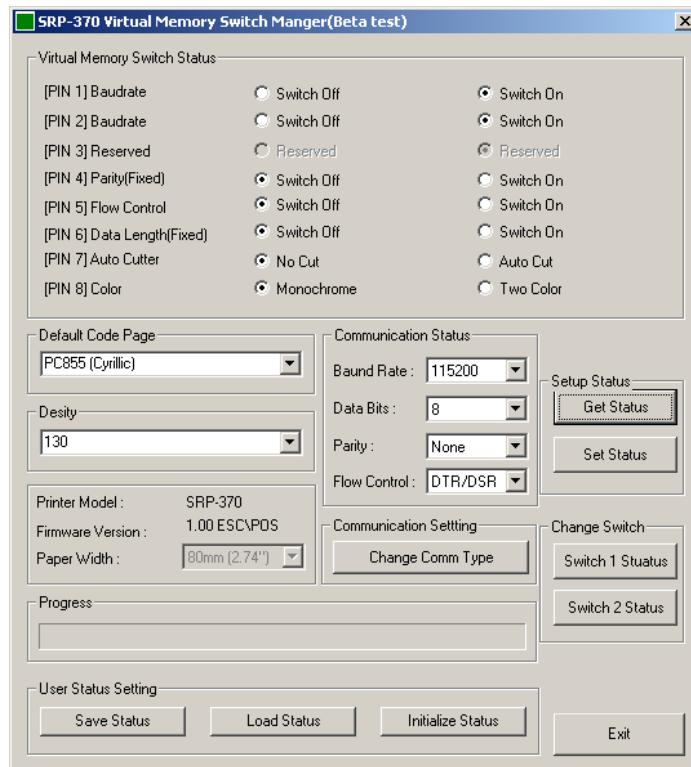
- *T10/T100 switching Ethernet*
- *USB on board (USB2.0) + Serial, Parallel, Ethernet )*
- *Powered USB*



---

*[ Software option ]*

- 1. Auto cutter : Full / Partial cut  
Enable / Disable**
- 2. Code page selection : 33**
- 3. Color choice : Mono / 2 color**
- 4. 2D barcode : PDF417, QR Code**



*[ VMSM utility program ]*

**Code page selection**  
**Serial setting change**  
**Memory switch setting**

*[ Firmware downloader ]*

**Serial**  
**Parallel**  
**USB**

Item		SRP-350plus	TM-T88IV
Print Speed		200mm/sec	200mm/sec
Paper Roll Size		Max. Ø 83.0mm	Max. Ø 83.0mm
Print Color		Two color / Mono	Two color / Mono
Interface		Serial, Parallel, USB, Bluetooth Ethernet(10/100base-T), USB on board option, Powered USB	Serial, Parallel, USB Ethernet(10/100base-T), Wireless
USB version		USB 2.0 (480 Mbps high speed)	USB 2.0 (480 Mbps high speed)
Receive Buffer		<b>64 KB</b>	4KB or 45 bytes
Memory		NV user memory : 1KB NV image : 256KB, Macro : 2KB, User define : 12KB	NV user memory : 1KB NV image : 256KB, Macro : 2KB, User define : 12KB
Code page		<b>33</b>	10
Driver		Windows, OPOS, JAVAPOS (in plan)	Windows, OPOS, JAVAPOS
Cutter option		<b>Partial cut / full cut, Enable / Disable</b>	Partial cut only
Near end sensor		<b>Easy adjustment</b>	Adjustment with screw driver (2 choices)
Option		External buzzer, <b>Splash proof cover</b> , Wall mount bracket	External buzzer, adapter
Standard packing		<b>Adapter, power cord</b> , cable cover, power switch cover, Quick reference sheet, Installation CD	Cable cover, power switch cover, user manual
Model type		<b>Auto-cutter type (SRP-350plus C)</b> <b>Tear-bar type (SRP-350plus A )</b>	Only Auto-Cutter type
Reliability	Auto-cutter	<b>More than 1.8 million cuts</b>	1.5 million cuts
	TPH	<b>150 Km</b>	100 Km

---

BIXOLON Samsung thermal printer

**SRP-350plus**

Thank you !